

ALUMINIUM PERGOLLA



AMEERA PERGOLA - CREATING SPACE

SUPPLIED & SERVICED By : AL AMEERA ENGINEERING & METAL WORKS LLC AJMAN UAE
Call us on + 971 50 9854276 Email : aemllcsales@gmail.com

Al Ameera Engineering and Metal Works has 7 years of experience in Custom Made Steel & Stainless Steel designing, developing and supplying and Installing Architectural and Decorative metal works for Villa Project, Restaurants, Furniture Industry.

Having wide experience in Metal works, we are emerging on to Aluminum Pergola, laser cut designs pergola, Retractable pergola, Zip Screens, Full Cassette, Awing, and other Shading products.

We make a survey at clients site, we design and propose a suitable system for their use.

Beside our standardize products, we also provide OEM and ODM services to meet personal requirements. We work well together, and we are proud of ourselves with the ability to offer products and services in shortest leading times from the industry and with highest quality.

We dedicate to bring you the most advanced sunshade technology and superior outdoor environment. We take quality as our priority to pursue, products are strictly conforming to international standards.

COMPANY PROFILE	
PRODUCTS	02
PERGOLA	03
168 SERIES & 220 SERIES	13
- Hot Sale Series & Other Series	
- Integrated Design Solutions	
INSTALLATION & OPTIONS	15
- General Installation	
- Customization Options and Others	
ZIP SCREEN	17
GM-100 SERIES & GM-120 SERIES	25
Zip Screen 100 Series & 120 Series	
INSTALLATION & OPTIONS	27
- Different Series Installation	
- Fabric Options	
- Materials of Zip Screen	
CONTACT US	30



Highest Quality and Durability

AMEERA Sun Shades is a trustworthy partner in the field of sun shading products. We produce high quality products for our clients to enjoy our modern production facilities. We test our products in the most extreme situations to ensure the result is flawless and workable.

Through our standard productions, we can guarantee that our clients are investing the highest quality for their life. Our professional approaches extend to all aspects of our business.

Considerate & Nicely Design

Innovative design on the appearance and functions. Clean outlook with hidden fixings and fasteners solutions, durable materials and combination with a perfectly finishing product that provide a flexible matching for any style of your house.

Customization Possibilities

Modular system design can bring countless combinations and solutions for your own style of customization options. Values can be put on our product, such as screens, sliding panels, glass doors, air conditioners, heaters, choices of colors..., which can be attached with according to your unique style.

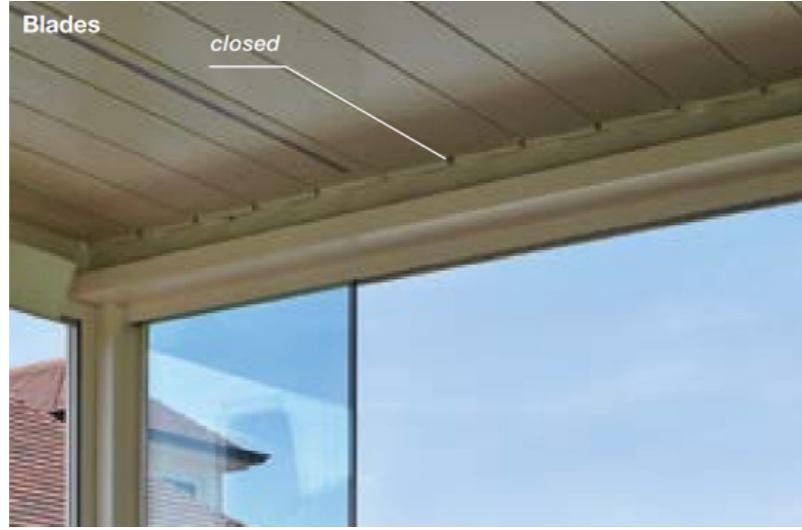
Easy to Install, Use and Maintenance

With modular design, it would be no problem for our clients to install and easy to understand how it works. Aluminum alloy provides a high density of aluminum oxidization which is perfect for anti-corrosion and can withstand any extreme weather. Longer durability and won't take much effort to maintain while use it in a long time.

PERGOLA



Using our Pergola, users can enjoy better life in outdoor space. We offer many possibilities to protect our clients from wind, sun light, rain water and others, and available for personalization. In this way, we'll provide a more nature place for their home, and allow users to spend their time outdoors at ease and maximum enjoyment and relaxation.







CUSTOMIZATION
TO ANY PERSONAL
TASTE

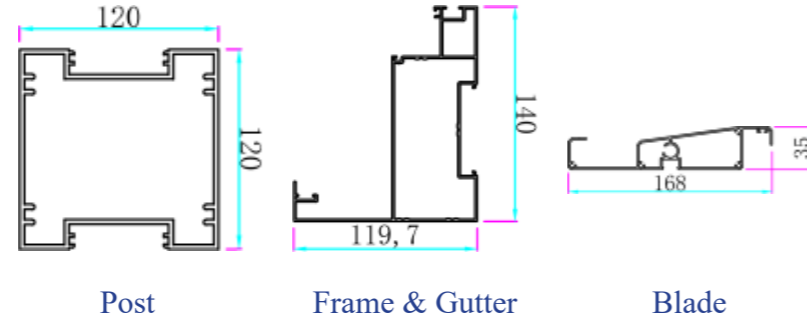


168 SERIES & 220 SERIES MULTI-FUNCTIONAL PERGOLA

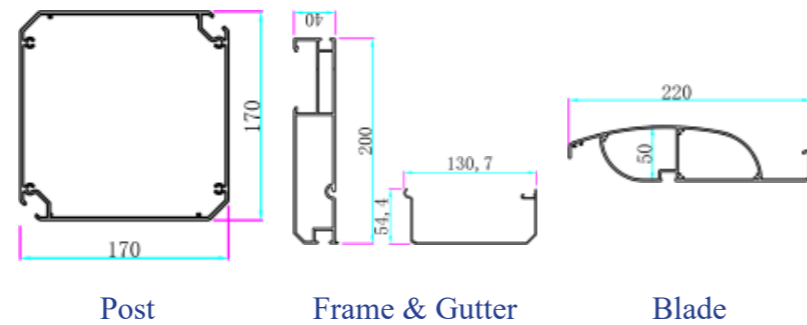
Hot Sale Series

We provide 168 series and 220 series and others series options for you, all of them are made from high quality 6063 T-5 aluminum alloy material, which can withstand many extreme circumstances. Other house appliances can be matched or placed with it according to your ideas.

168 Series

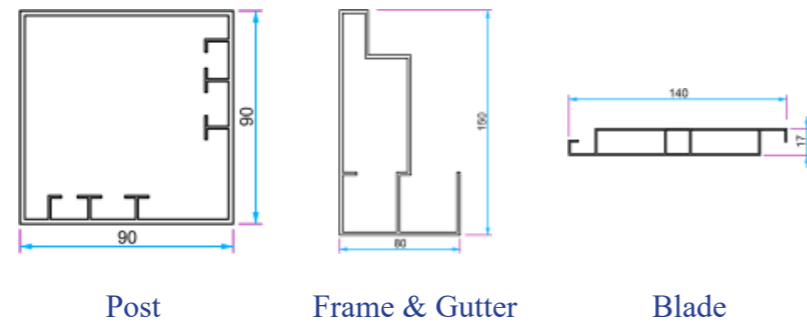


220 Series



Other Series

140 Series

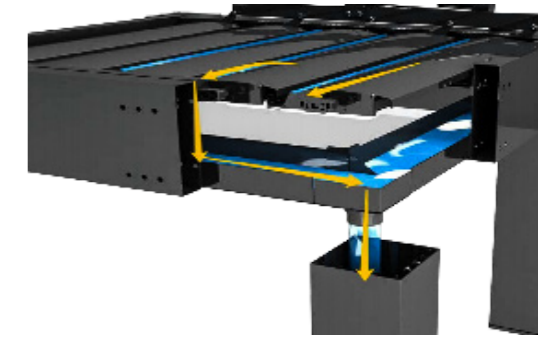


Integrated Design Solutions

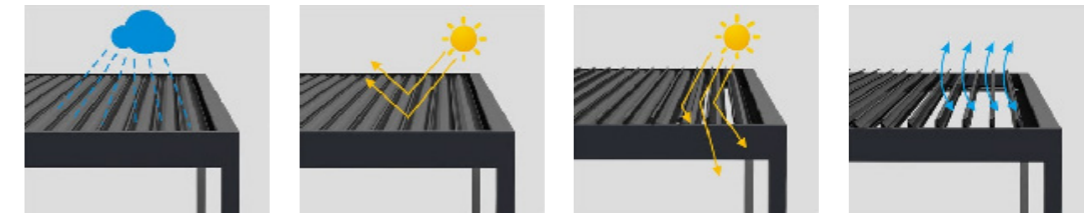
Extruded aluminum blades can rotate to any angle for protection and air circulation and rainwater proof depending on your needs. Easily control it with a remote.

The water drains off from the roof to the columns through the water drainage system insides, eventually, the water will leak out from the bottom of the posts or in other place that you connect with.

Water Drainage System



Blades offer protection from the rainwater, direct sunlight and capable for air circulation. You may enjoy the warm sunlight in winter time and protect you from getting wet in rainy days, provide shading in hot summer.



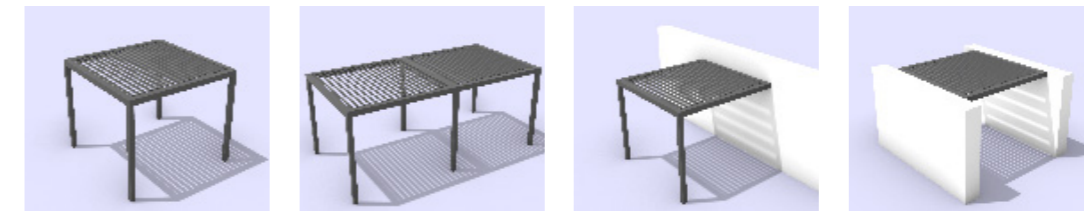
Waterproof

Shading

Angle Adjustable

Air Circulation

The pergola can be constructed in many ways: freestanding, wall-mounted, only roof available, two or more sets of combination...



Free-standing

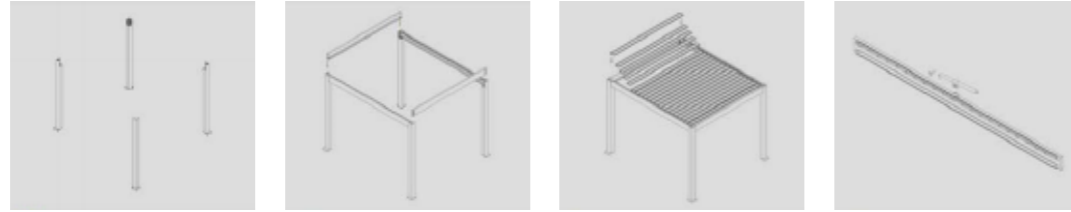
Combination

Wall-mounted

Wall-mounted 2

General Installation

Modular design ensures an easy installation for our pergola with multifunction combination in entire product.



Customization Options and Others

Pergola with different element fittings can show your unique taste for your own house. And it can be created in infinite possibilities and combination.



Zip Screen

The zip screens are effectively combined with the pergola. It's also for sun shading, provide privacy space, UV protection...



Blinds

Shutters or blinds are durable in using, sun shading in lighter weight, provide safer and stabler protection for you.



Gauze/Curtains

The gauze or curtains can effectively prevent sun light and UV radiation, and a nice choice for decoration.



Sliding Panels/doors

Sliding glass doors or other panels give you a feeling of extra room for your house to use, to live in and to stay.



GUMEI® ZIP SCREEN

GuMei® Zip Screen provides privacy and years-round protection from outdoors. Create your own living space inside while you can still see through the screen to have a glimpse to outside. You can enjoy a comfortable environment without the disturbance from the outside.





CLASSIC
IS ALWAYS
TIMELESS



GM-100 Series Zip Screen

This model offers a contemporary outdoor shading systems to fit various house appliances while maintaining a consistent aesthetic and finishing for your interiors.



GM-100 Electric Zip Screen

The width can reach 4 meters, suitable for hotels, private houses, offices and other indoor places.

GM-100 Spring Zip Screen

Width is up to 4 meters, suitable for small interiors with no power supply.



GM-100 Bead-String Zip Screen

Width up to 2.5 meters, suitable for small windows, high heights, and places without a power supply.

GM-100 Rod Rotate Zip Screen

Width up to 4 meters, suitable for small and medium-sized, indoor places without power supply.

GM-120 Series Zip Screen

GM-120 series zip screen provides a larger size in customization and stronger support. It can also be fitted in any environment of your house style and decoration.



GM-120 Electric Zip Screen

The width can reach to 6 meters that are widely used in high-end places such as sun rooms, clubs, and balconies.

GM-120 Spring Zip Screen

Width is up to 4 meters, suitable for small interiors with no power supply.



GM-120 Bead-String Zip Screen

Width up to 2.5 meters, suitable for small windows, high heights, and places without a power supply.

GM-120 Rod Rotate Zip Screen

Width up to 4 meters, suitable for small and medium-sized, indoor places without power supply.

Different Series of Installation



GM-100 Electric Zip Screen

GM-100 Spring Zip Screen

GM-100 Bead-String Zip Screen

GM-100 Rod-Rotate Zip Screen



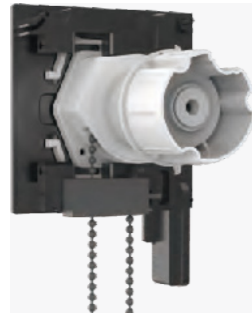
GM-120 Electric Zip Screen

GM-120 Spring Zip Screen

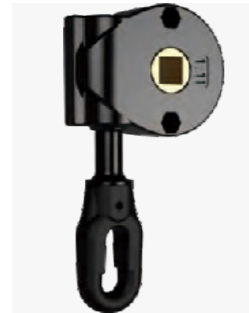
GM-120 Bead-String Zip Screen

GM-120 Rod-Rotate Zip Screen

Different Types of Drive/Motor Installation



Bead-String System



Rod-Rotate System



Electric Motor System



Manual Spring System

Fabric Options

Various options for openness factors from 0% totally blocking to 30% with air circulation and sunshade, which has the ability of UV resistant and waterproof.



Grey 0%



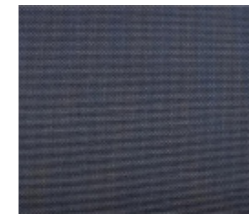
Grey 4%



Grey 30%



Light Grey 5%



Brown 0%



White 5%



Black 30%



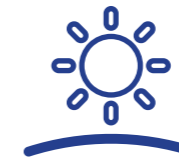
White 30%

Materials of Gumei Zip Screen

PVC fiberglass improved durability, corrosion resistance and weight reduction.



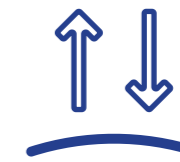
Water Proof



Sun Shade



UV Resistant



Air Circulation



Prevent Insects



Easily Maintain



Anti-corrosion



Provide Privacy

SUPPLIED & SERVICED By : AL AMEERA ENGINEERING & METAL WORKS LLC AJMAN UAE
 Call us on + 971 50 9854276 Email : aemllcsales@gmail.com



SUNSHADES

AL AMEERA ENGINEERING & METAL WORKS LLC

AL Jurf Industrial Area

Ajman UAE

Email : aemllcsales@gmail.com

Tel : 06-5247223

Mobile : 052-8227385

SUPPLIED & SERVICED By: AL AMEERA ENGINEERING & METAL WORKS LLC AJMAN UAE

Call us on + 971 50 9854276 Email : aemllcsales@gmail.com